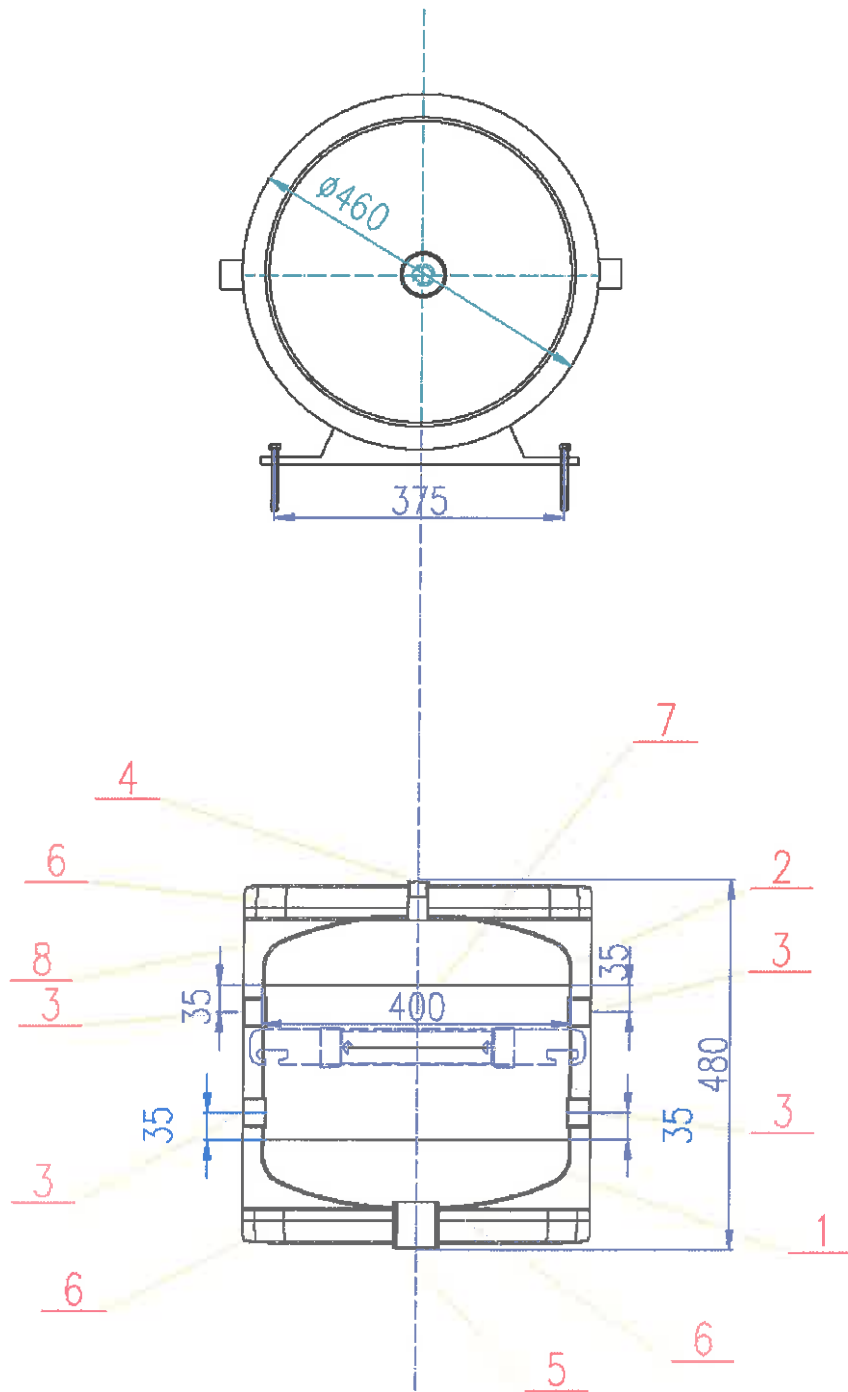


ATTENTION!!!

- working pressure 0,3MPa

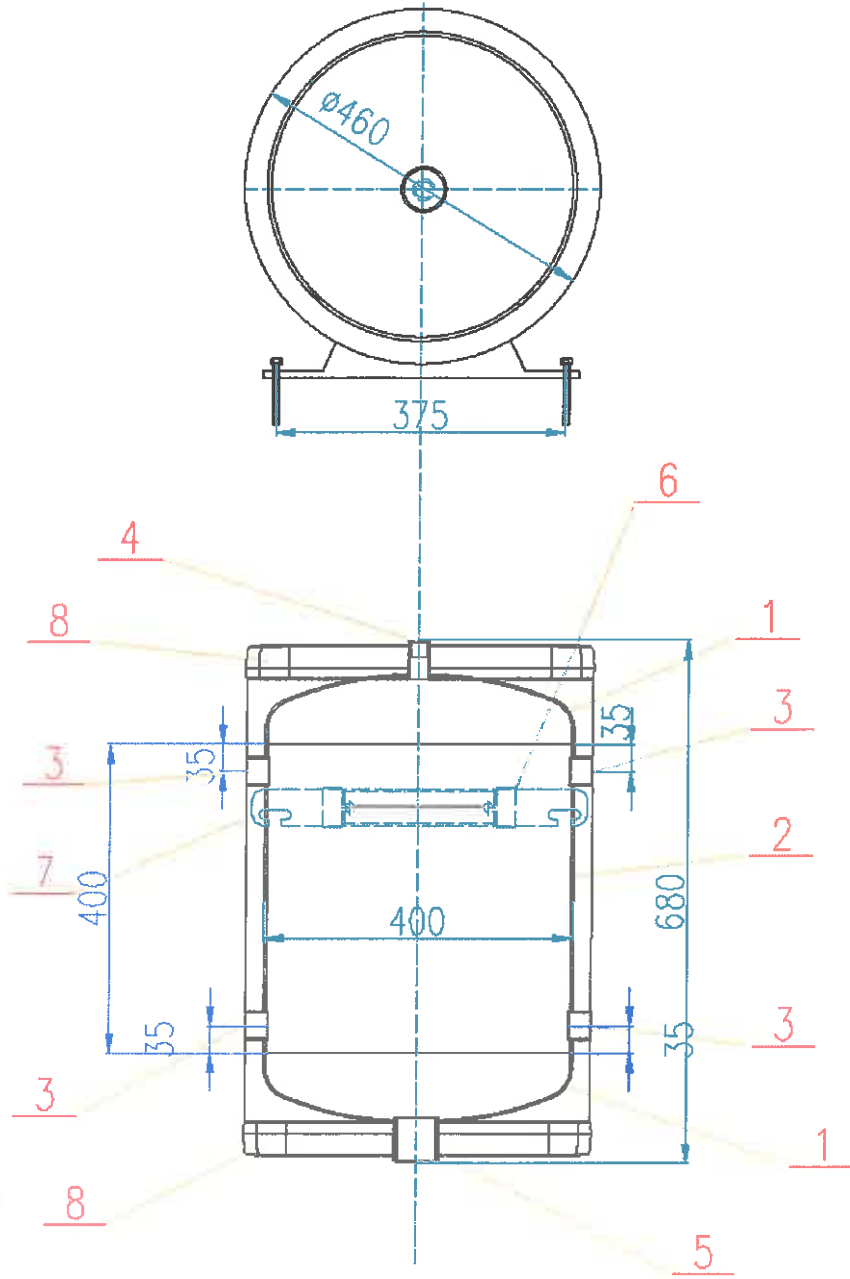


Technical data:

- buffer tanks
- black
- Insulation: polyurethane foam **30mm**
- cover: jacket metal and top ABS
- color: white

8.	White metal jacket (1610x395 gr.0,7mm) S235JRG2			1
7.	Hanger	S235JRG2		1
6.	Cover ABS			2
5.	Wulf 6/4" (ø57,8x4,8; l=50)	R35	PN-80/H-74219	1
4.	Wulf 1/2" (ø26,92x3; l=40)	R35	PN-80/H-74219	1
3.	Wulf 1" (ø38,6x3,8; l=30)	R35	PN-80/H-74219	4
2.	Plate 1247x200; q=2	St35	PN-83/H-92120	1
1.	Dishes head ø400x2	St35	PN-75/M-35412	2
POZ.	NAZWA ELEMENTU	MATERIAL	NORMA	LOS
FIRMA: GALMET SP. Z O.O. SP. K. 46 - 100 GLUBCZYCE		NACZYNIE: bufior 40l. b/w		
		NUMER: 1DK W-800004		DATA: 28.09.16 r.

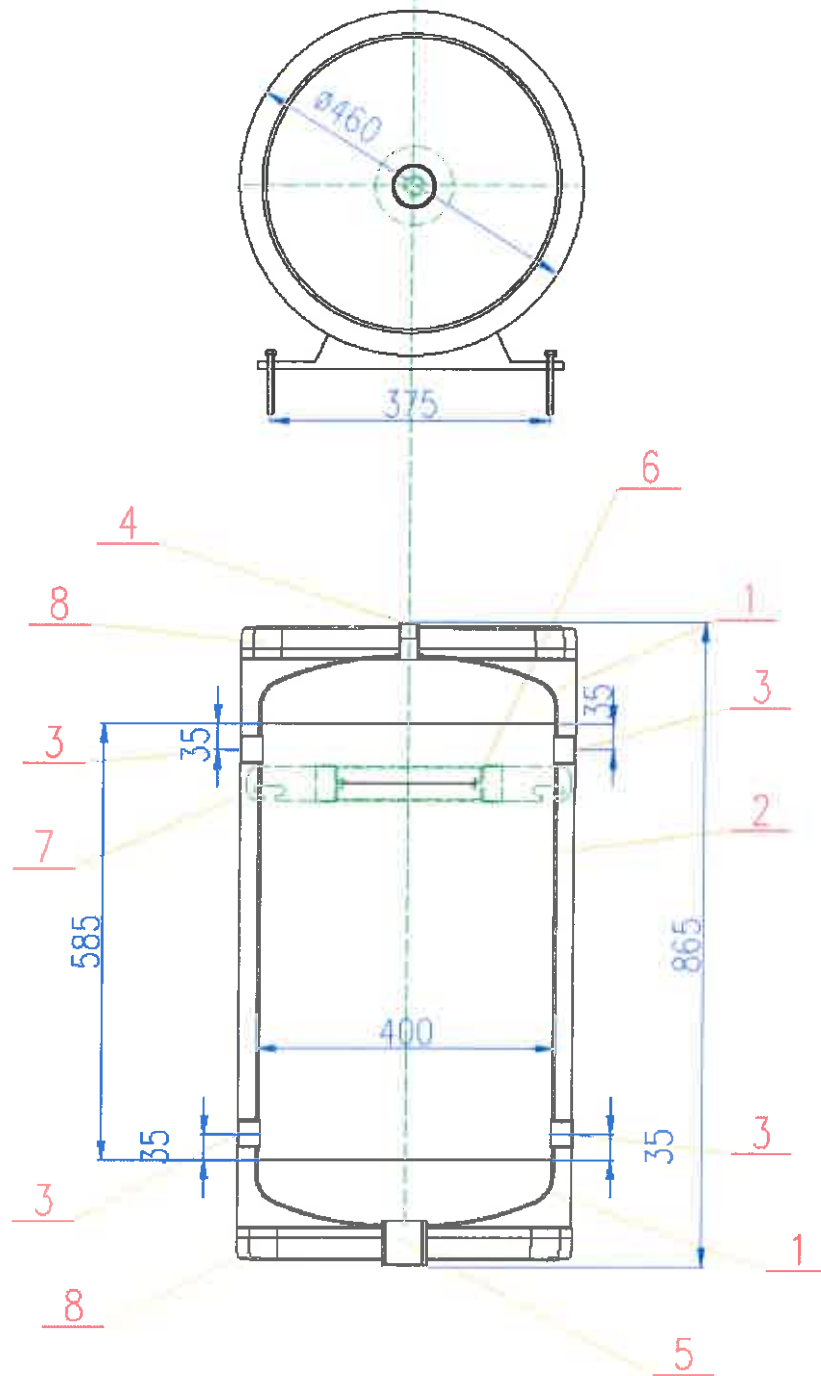
ATTENTION!!!
- working pressure 0,3MPa



Technical data:
 - buffer tanks
 - black
 - Insulation: polyurethane foam 30mm
 - cover: jacket metal and top ABS
 - color: white

8	Cover ABS	S235JRG2		2
7	White metal jacket (1610x605 gr.0,7mm)	S235JRG2		1
6	Hanger	S235JRG2		1
5	Muff 6/4" (ø57,8x4,8; l = 50)	R35	PN-80/H-74219	1
4	Muff 1/2" (ø26,92x3; l = 36)	R35	PN-80/H-74219	1
3	Muff 1" (ø38,6x3,8;)	R35	PN-80/H-74219	4
2	Plate 1247x400; q = 1,8	S135	PN-83/H-92120	1
1	Dishes head ø400x2	S135	PN-75/M-35412	2
POZ	NAZWA ELEMENTU	MATERIAŁ	NORMA	LOSZ
FABRYKA: GALMET SP. Z O.O. SP. K. 48 - 100 GŁUBCZYCE		MAGAZYN: bufor 60L b/w		
		NUMER:		DATA: 28.09.10 r.

ATTENTION!!!
- working pressure 0,3MPa



Technical data:

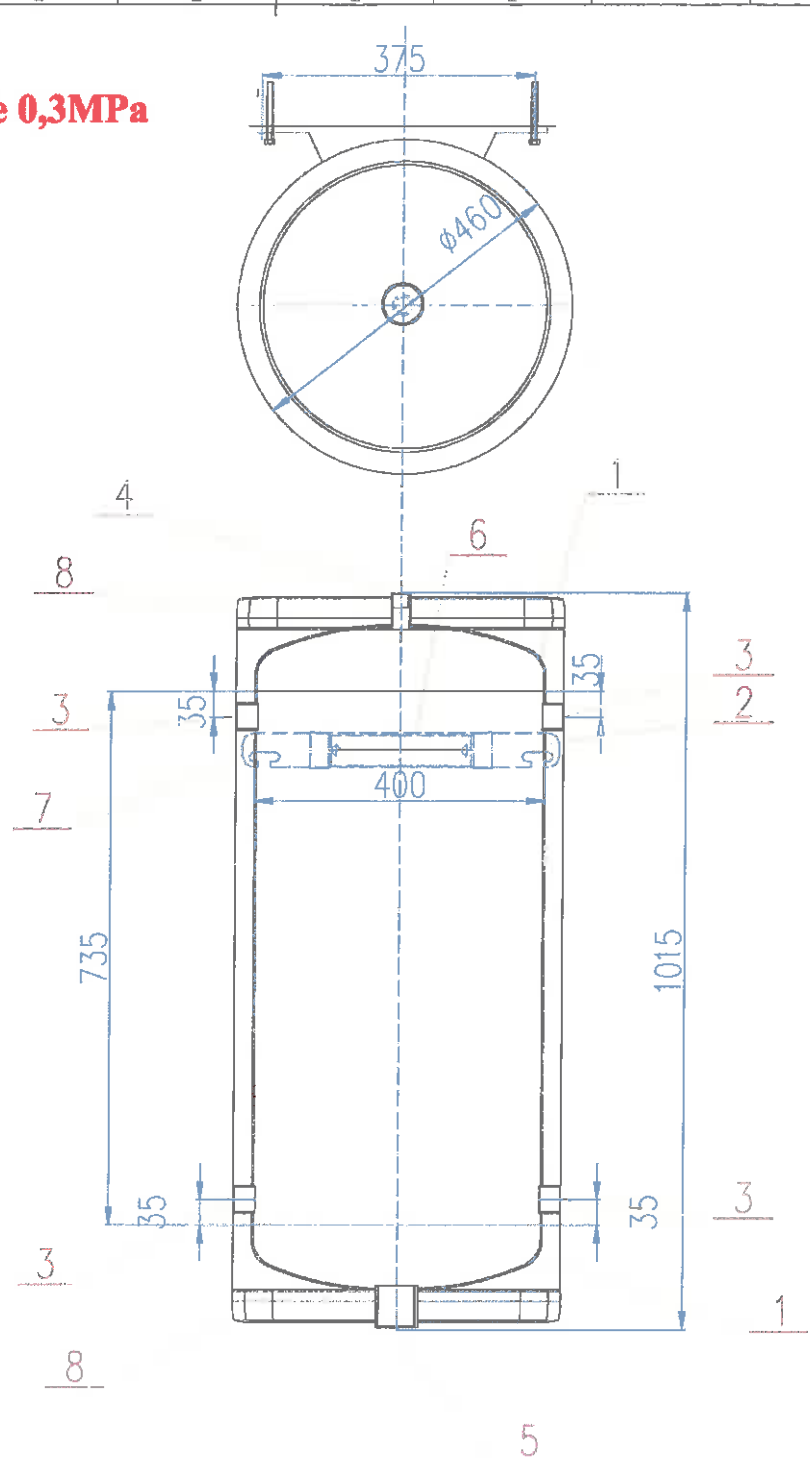
- buffer tanks
- black
- Insulation: polyurethane foam **30mm**
- cover: jacket metal and top ABS
- color: white

POZ.	NAZWA ELEMENTU	MATERIAL	MOWA	LOSC
8.	Cover ABS	S235JRG2		2
7.	White metal jacket (1610x790 gr.0,7mm)	S235JRG2		1
6.	Hanger	S235JRG2		1
5.	Muff 6/4" (ø57,8x4,8; l = 50)	R35	PH-80/H-74219	1
4.	Muff 1/2" (ø26,92x3; l = 36)	R35	PH-80/H-74219	1
3.	Muff 1" (ø38,6x3,8;)	R35	PH-80/H-74219	4
2.	Plate 1247x585; a = 1,8	St35	PH-83/H-92120	1
1.	Dishes head ø400x2	St35	PH-75/W-35412	2

PRZEM. GALMET SP. Z O.O. SP. K. 48 - 100 GLUCZYCE	NACZYNIE buffer 60L b/w	DATA 20.08.17 r.
--	-----------------------------------	----------------------------

ATTENTION!!!

- working pressure 0,3MPa



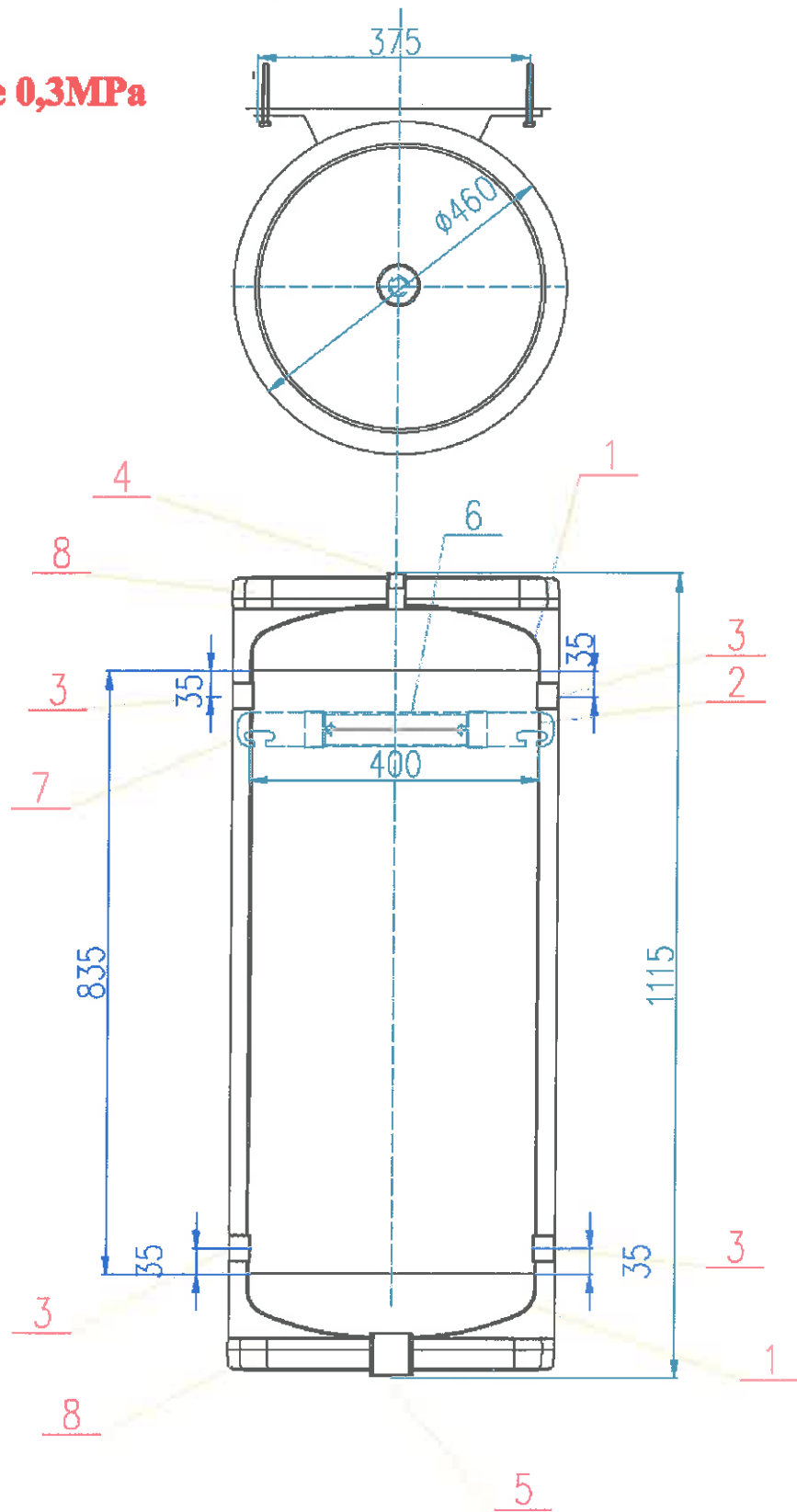
Technical data:

- buffer tanks
- black
- **Insulation: polyurethane foam 30mm**
- **cover: jacket metal and top ABS**
- **color: white**

8	Lever ABS				1
7	White metal jacket (1610x990 gr.0,7mm)	S235, H62			1
6	Langer	32.58, R62			1
5	Tappet 5/4" (ø57 Bx4,6; 1 -80)	R35		PN-B0/H-74219	1
4	Tapping 1/2" (ø26,92x3; 1 -46)	R35		PN-B0/H-74219	1
3	Tapping 1" (ø35,6x3,6; 1 -30)	R35		PN-B0/H-74219	4
2	Flange 124x735, q =1,5	Ø130		PN-B3/H-96120	1
1	Flange head Ø100x2	Ø130		PN-F5/H-55412	1
POZ	NAZWA ELEMENTU	MATERIAL		NORMA	LOS
FIRMA: GALMET SP. Z O.O. SP. K. 48 - 100 GŁĘBCZYCE		NAZWA: buffer 100l. b/w			
		NUMER:		DATA: 04.04.17 r.	

ATTENTION!!!

- working pressure 0,3MPa



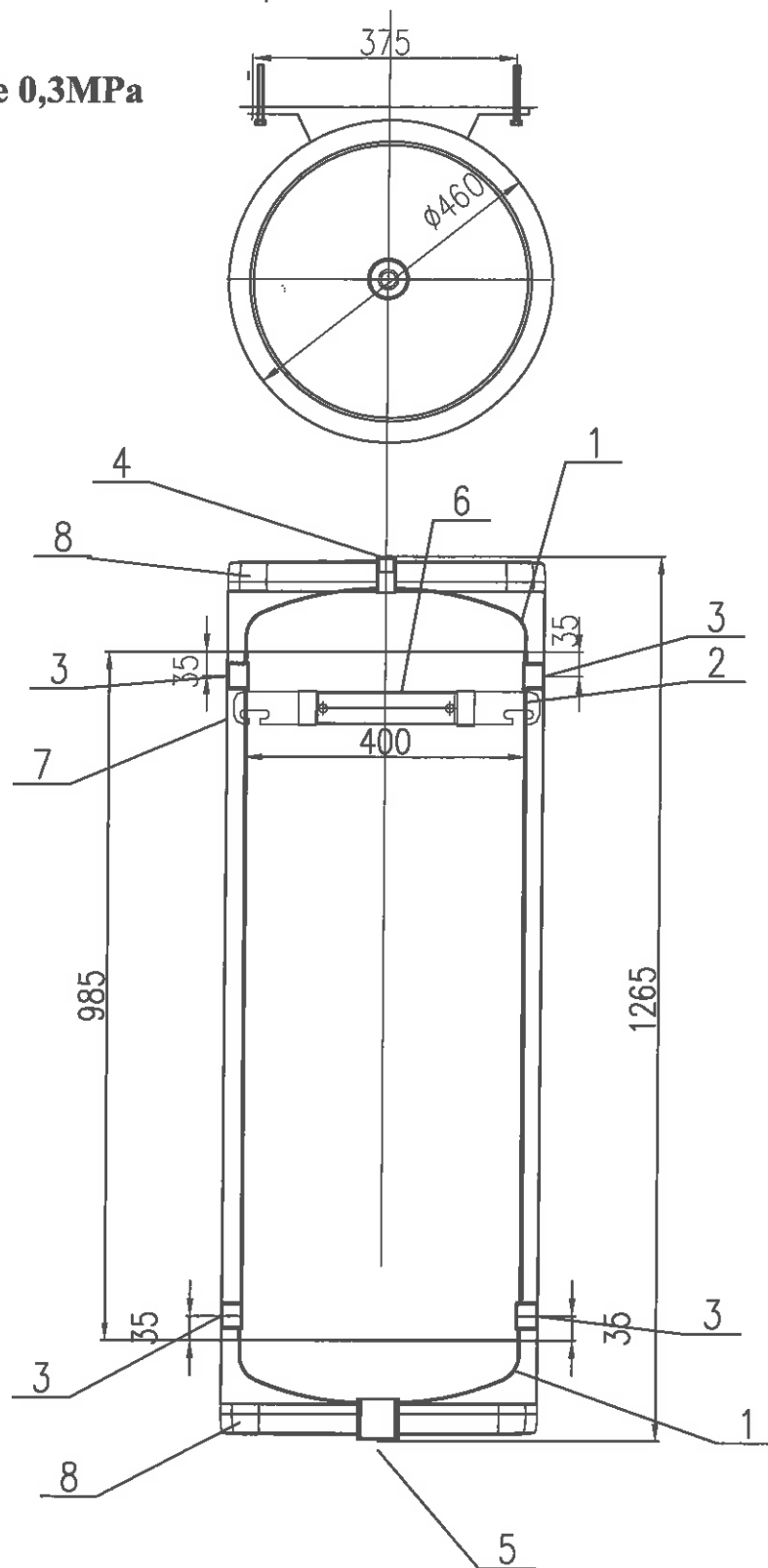
Technical data:

- buffer tanks
- black
- Insulation: polyurethane foam **30mm**
- cover: jacket metal and top ABS
- color: white

POZ	NAZWA ELEMENTU	MATERIAL	MORNA	LOS
8.	Cover ABS			2
7.	White metal jacket (1610x1090 gr.0,7mm)	S235JR/G2		1
6.	Hanger	S235JR/G2		1
5.	Tapping 6/4" (ø57,8x4,8; l=50)	R35	PN-80/H-74219	1
4.	Tapping 1/2" (ø26,92x3; l=46)	R35	PN-80/H-74219	1
3.	Tapping 1" (ø38,6x3,8; l=30)	R35	PN-80/H-74219	4
2.	Plate 1247x835; q = 1,8	SI3S	PN-83/H-92120	1
1.	Dishes head ø400x2	SI3S	PN-75/M-35412	2
FABRYKA: GALMET SP. Z O.O. SP. K. 48 - 100 GŁUBCZYCE		NADZOR: bufor 120L 8/16		
		DATA: 04.04.17 r.		

ATTENTION!!!

- working pressure 0,3MPa



Technical data:

- buffer tanks
- black
- Insulation: polyurethane foam **30mm**
- cover: jacket metal and top ABS
- color: white

POZ.	NAZWA BUDOWY	MATERIAŁ	NORMA	LICZB.
8.	Cover ABS			2
7.	White metal jacket (1610x1090 or 0,7mm)	S235JRG2		1
5.	Hanger	S235JRG2		1
5.	Tapping 6/4" (ø57,8x4,8; l=50)	R35	PN-80/H-74219	1
4.	Tapping 1/2" (ø26,92x3; l=46)	R35	PN-80/H-74219	1
3.	Tapping 1" (ø38,6x3,8; l=30)	R35	PN-80/H-74219	4
2.	Plate 1247x985; g=2	S13S	PN-83/H-92120	1
1.	Dishes head ø400x2	S13S	PN-75/H-35412	2
FIRMA: GALMET SP. Z O.O. SP. K. 48 - 100 GŁUBCZYCE		NAZWA: buffer 140L b/w		DATA: 04.11.17 r.
		NUMER:		